

# Ni Chlorinator

## THE EASIEST WAY TO ENSURE HEALTHY AND SAFE SWIMMING WATER FOR YOUR FAMILY ALL YEAR ROUND

There have been many ways and methods produced and promoted to sanitize your pool water but few are as effective, safe and reliable as a salt or mineral chlorinator. For your pool to be safe to swim in, algae and bacteria needs to be eliminated. The chlorine produced by the chlorinator cell instantly kills algae and bacteria as the pool water passes through the cell but in addition, it creates a residual sanitiser level which stays in the pool water, killing contaminants as they enter the water in any part of the pool.

Swimming in the ocean is invigorating and refreshing, so no wonder salt chlorinators have become the standard for swimming pool sanitising. Manual dosing of chlorine or other chemicals can be haphazard and unreliable, and other types of sanitisers kill bacteria as the water passes through them but do not leave a residual in the water so that the whole body of water is always healthy and safe.

## WHY CHOOSE INSNRG'S Ni CHLORINATOR?

### FLEXIBLE AND ADAPTABLE

By dissolving salt, or minerals such as magnesium or potassium in your pool water at roughly the concentration of the salt in your eyes, Insnrg's Ni Chlorinator produces sufficient sanitiser to keep the largest residential pools clean, healthy and safe. The Ni chlorinator works in conjunction with a wide range of salt and mineral levels to produce the right level of sanitiser for your pool.

The inbuilt time clock combined with the output control allows you to set the operating hours and power of the cell to suit your pool size and the environmental conditions. Use the Ni Controller to set your pump operating hours, with up to 4 x timer periods for each day.

### DURABLE AND RELIABLE

Insnrg uses high quality components throughout and the Ni chlorinator has been designed and manufactured to withstand the harshest of outdoor conditions that pool equipment endure. The controller housing is sealed to prevent insect ingress

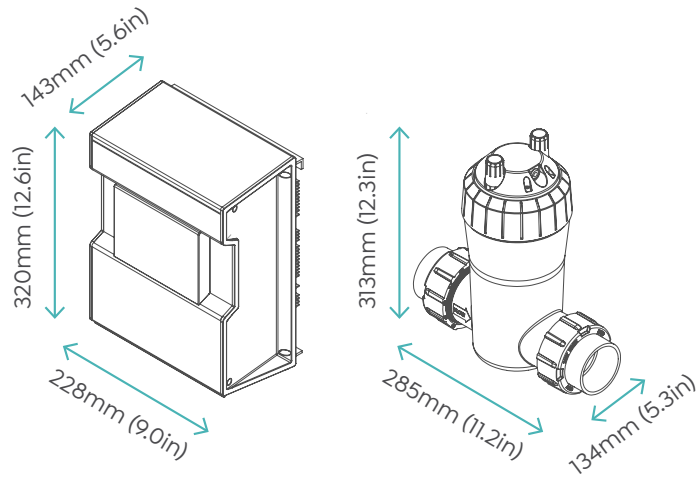
### DURABLE HOUSING DESIGN

Fully sealed unit ideal for outdoor installations to keep out insects and other pests



and built with a large heat sink to reduce the temperature of electronic components.

Covered by an industry leading warranty, you can rest assured that your pool will be ready to swim in when you are.



## MORE FEATURES & BENEFITS

### LOW MAINTENANCE

The Ni chlorinator has an intelligent variable reverse polarity algorithm that ensures debris and calcium that adhere to the inside of the cell are cleaned, almost eliminating the manual cleaning process and ensuring long life.

### UNIQUE CELL DESIGN

In addition, the cell is designed for a large range of flow rates which is especially desirable with today's modern variable speed pool pumps. The ability to process both low and high water flow rates ensures the water covers all critical cell components improving efficiency and the life of your chlorinator.

### 4 INBUILT TIMERS

The easy to use in built timer enables you to set-up different time periods to control your filtration pump. This allows you to be flexible when operating your pump to ensure optimal circulation, minimise energy costs by running in off peak times and reducing any noise impact by avoiding running overnight or early morning which could affect the neighbours.

## DIMENSIONS & SPECS

| MODEL                  | Ni 20 | Ni 25 | Ni 40 |
|------------------------|-------|-------|-------|
| OUTPUT (g/hr)          | 20    | 25    | 40    |
| Max Pool Size (litres) |       |       |       |
| TROPICAL (ave 20 C)    | 25000 | 40000 | 65000 |
| TEMPERATE (ave 15 C)   | 35000 | 50000 | 80000 |

\*Based on 8 hours per day pump operation, correct water balance

### RELAX, YOU'RE COVERED (WARRANTY & DEALER SUPPORT)

Your Ni Chlorinator comes complete with a **3 year warranty** on the powerpack and **3 year warranty** on the cell. Refer to Installation and Operating Manual or go to [www.insnrg.com](http://www.insnrg.com) for full warranty details.

### WANT MORE TECHNICAL DETAILS?

For the technically minded, go to [www.insnrg.com/products](http://www.insnrg.com/products)

### CONTACT YOUR LOCAL POOL PROFESSIONAL

